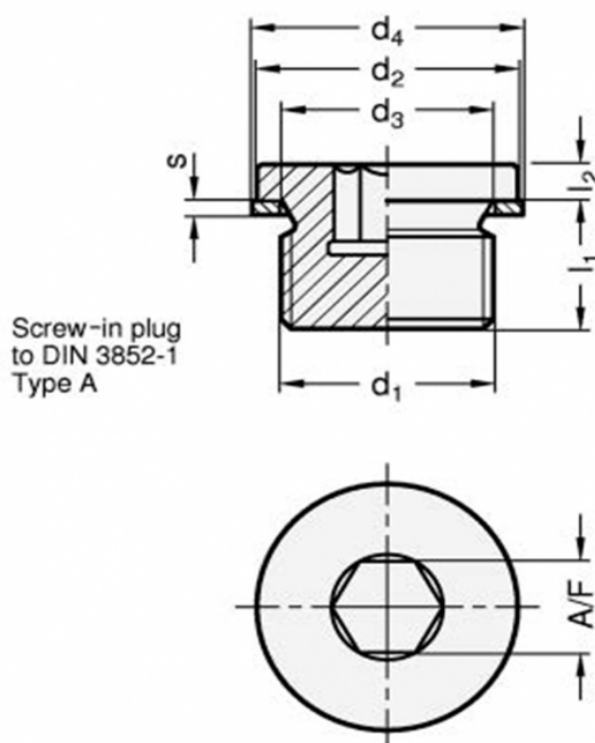


Article number: 20908STM2215AC

Description: E+G Threaded plug DIN 908-ST-M22x15-AC

Measures



A/F = 10

d_1 = M22x15

d_2 = 27

d_3 = 22.3

d_4 = 27

l_1 = 14

l_2 = 4

s = 1.5

Weight in (g) = 52